

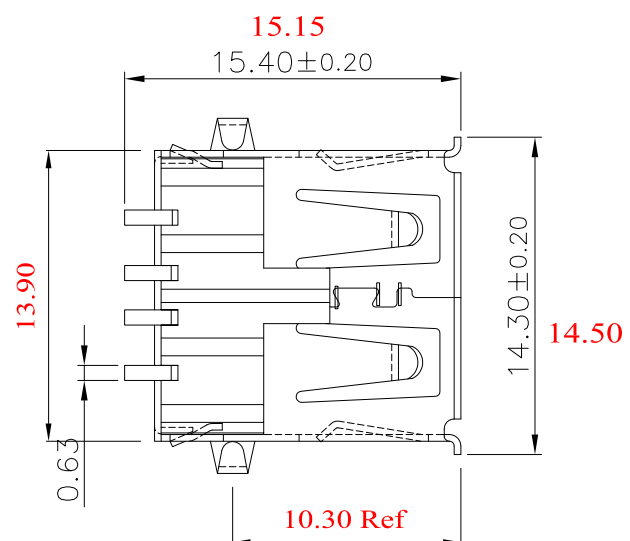
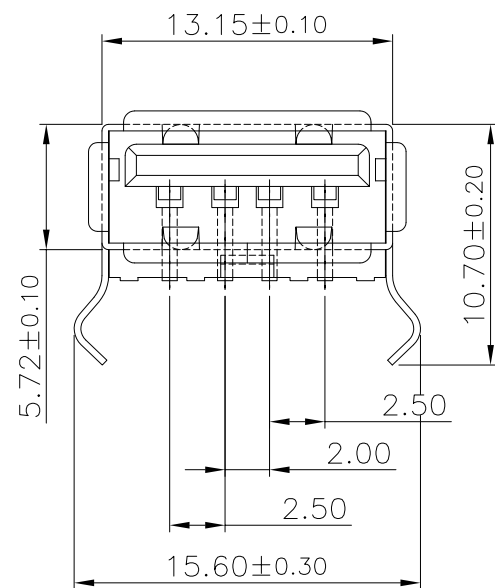
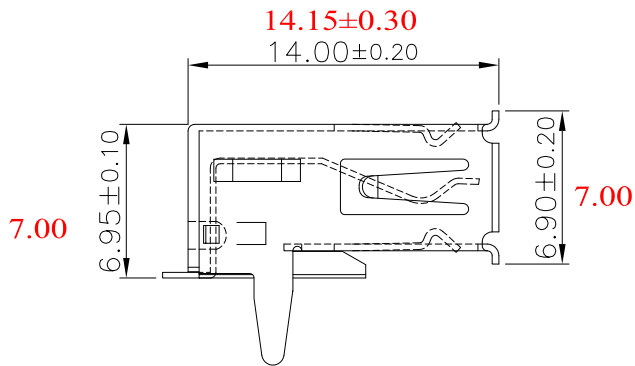
1

2

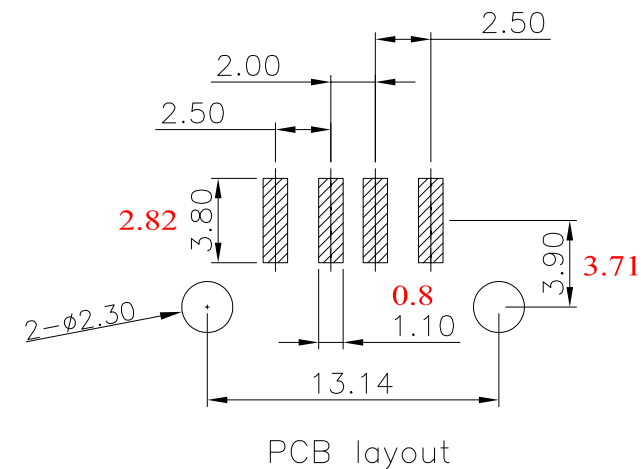
3

4

5



Specifications:
 Current Rating:1.5A AC/DC
 Voltage Rating:30V AC/DC
 Contact Resistance:30m ohm. Max.
 Insulation Resistance:1,000M ohm. min.
 Withstanding Voltage:500V AC For One Minute
 Operating Temperature Range:-40°C ~ +105°C
 Material and Finish **-55 ~50°C**
 Insulator:LCP (UL94V-0)
 Insulator Color:Black
 Contact:Brass **Phosphor Bronze**
 Plating:Gold Flash Plated in Contact Area,
 Tin Plated on Solder Tail.
 Shell:Brass,Nickel Plated



Note: Dimension in red represents old dimension

RoHS Compliant

				DRAWN:	GENERAL TOLERANCE: X.=±0.30 X.*=±5° .X=±0.20 .X.*=±3° .XX=±0.10	<h1 style="color: red;">CnC Tech</h1> Industrial Cable and Connector Technology	
				CHECKED: ±0.38 ±0.25	UNIT: MM		DESCRIPTION: USB A Type SMD W/Kink,G/F
				APPROVAL:	SCALE:1:1	PART NO: 1001-002-01100	A4
REV	DATE	FILE	BY		SHEET: 1 / 2		
	05-FEB-2020				PROJECTION:		

A

B

C

D