

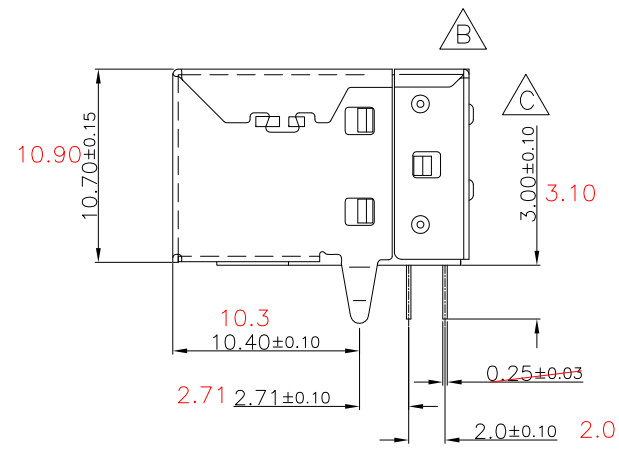
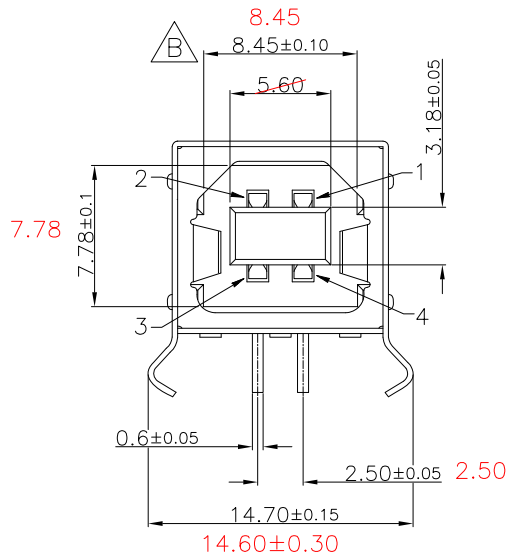
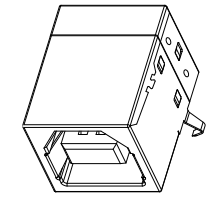
1

2

3

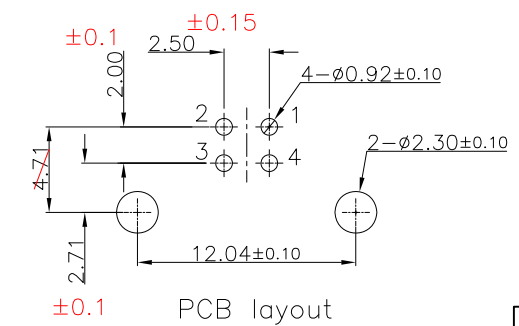
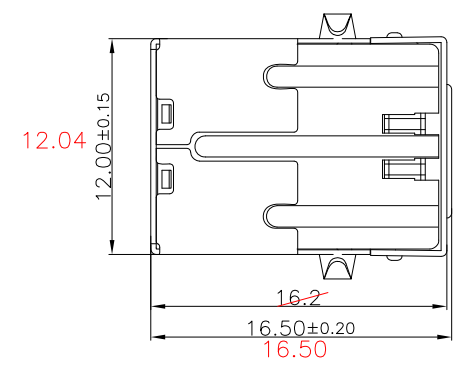
4

5



Specifications:

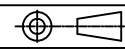
Current Rating:1.5A AC/DC
 Voltage Rating:30V AC/DC
 Contact Resistance:30m ohm. Max.
 Insulation Resistance:1,000M ohm. min.
 Withstanding Voltage:500V AC For One Minute
 Operating Temperature Range:-40°C ~ +105°C
 Material and Finish
 Insulator:PBT (UL94V-0) **PBT+30%GF**
 Insulator Color:White
 Contact:Brass **Phosphor Bronze**
 Plating:30u" Gold Plated on Contact Area,
 Tin Plated on Solder Tail. **see table??**
 Shell:Brass,Nickel Plated **SPCC**
 Back Cover:Brass,Nickel Plated



Note: Dimension in red represents old dimension

RoHS Compliant

				DRAWN:	GENERAL TOLERANCE: .X=±0.20 ±0.38 .XX=±0.10 ±0.25	<h1 style="text-align: center; color: red;">CnC Tech</h1> <p style="text-align: center;">Industrial Cable and Connector Technology</p>		
				CHECKED:				UNIT: MM
					SCALE:1:1	USB B Type PCB Socket Right Angle,30u"		A4
	05-FEB-2020			APPROVAL:	SHEET: 1 / 2			
REV	DATE	FILE	BY		PROJECTION:	1002-003-02000		



A

B

C

D