

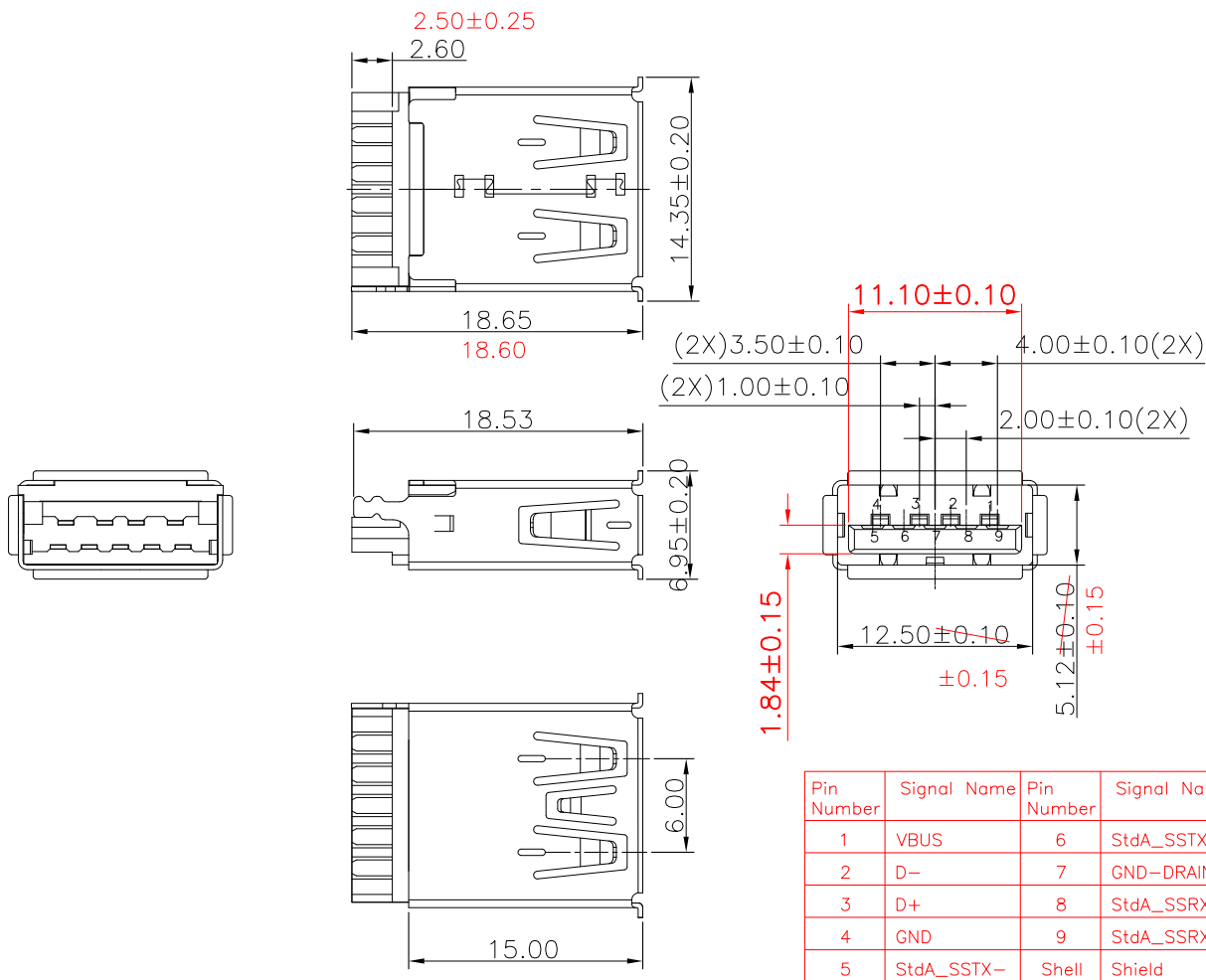
1

2

3

4

5



## Specifications:

Current Rating:1.5A for pin1&amp;pin4.

0.25A other contacts

Contact Resisitance:30m ohm. Max for pin1&amp;pin4

50m ohm. Max for other contacts

Insulation Resisitance:100M ohm.Min

Withstanding Voltage:100V AC/minute

Operating Temperature range:-40°C~+105°C

Material:

Insulator:PBT(UL94V-0)

Insulator Color:Blue

Contact:Phosphor Bronze

Plated:15u" Gold Plated On Contact Area,

Tin Plated On Solder Tail.

Shell:Brass, Nickel Plated

Note: Dimension in red represents old dimension

RoHS Compliant

DRAWN:

GENERAL TOLERANCE:

.X= $\pm 0.20$   $\pm 0.25$ .XX= $\pm 0.10$   $\pm 0.20$ 

CHECKED:

UNIT: MM

DESCRIPTION:

USB 3.0 AF Straight Solder Type,15 u"

SIZE

APPROVAL:

SCALE:1:1

PART NO:

1003-006-01200

A4

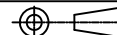
REV

DATE

FILE

BY

PROJECTION:



# CnC Tech

Industrial Cable and Connector Technology

A

B

C

D