

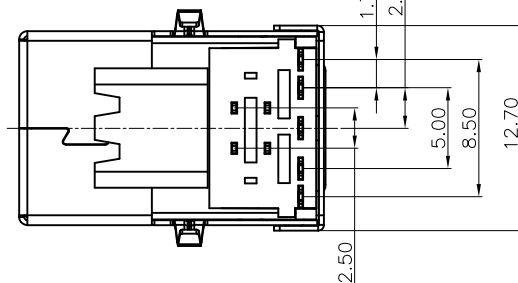
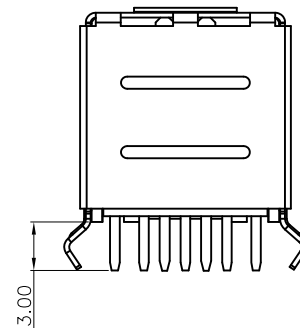
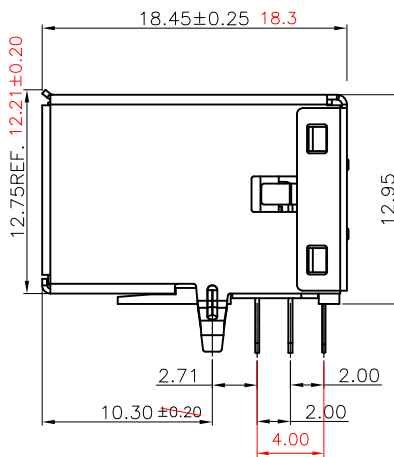
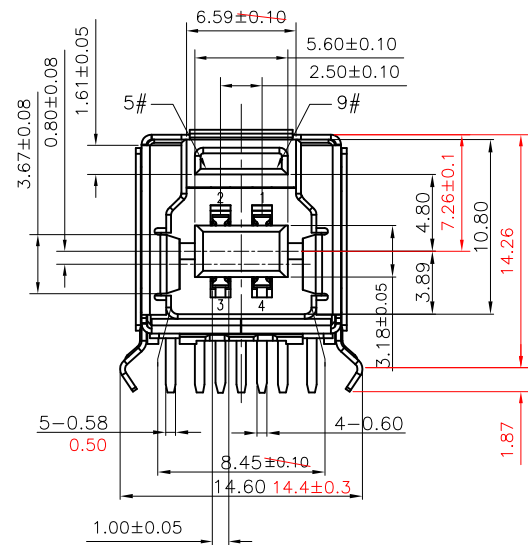
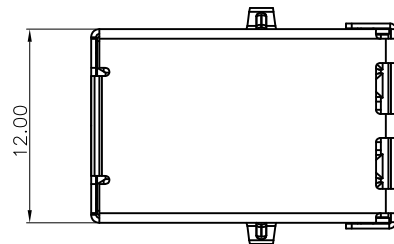
1

2

3

4

5



Pin Number	Signal Name	Pin Number	Signal Name
1	VBUS	6	StdB_SSTX+
2	D-	7	GND-DRAIN
3	D+	8	StdB_SSRX-
4	GND	9	StdB_SSRX+
5	StdB_SSTX-	Shell	Shield

Note: Dimension in red represents old dimension

Specifications:

Current Rating:

1.5A for VBUS and GND Contacts

0.25A for all other Contacts

Low Level Contact Resistance: 30m ohm. Max.

30m ohm(max) initial for VBUS and GND Contacts

50m ohm(max) initial for all other Contacts

Insulation Resistance: 100M ohm. Min.

Withstanding Voltage: AC 500V r.m.s

Operating Temperature Range: -40°C To +105°C

Materials:

Insulator: PBT+30%G.F.(UL94V-0)

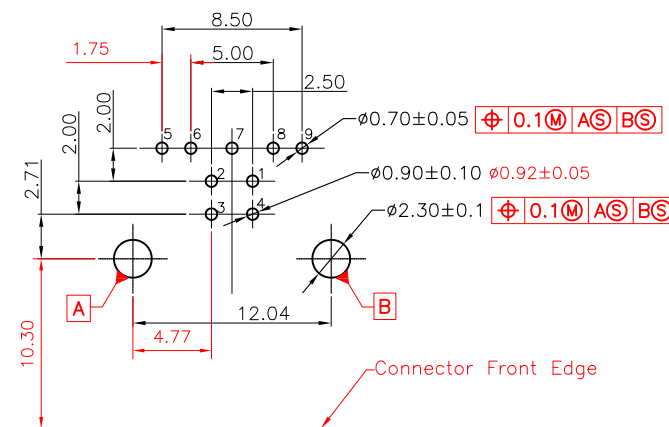
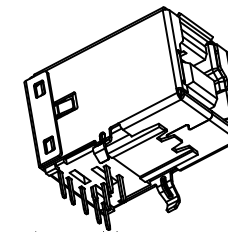
Insulator Color: Blue

Contact: Phosphor Bronze

Plating: 15u" Gold Plated on Contact Area,

Tin Plated on Solder Tail.

Shell: Brass, 50-80u" Nickel Plated



P.C.B. layout  
TOLERANCE  $\pm 0.05$

RoHS Compliant

DRAWN:

GENERAL TOLERANCE:

.X =  $\pm 0.20$   $\pm 0.25$

.XX =  $\pm 0.10$   $\pm 0.20$

CHECKED:

UNIT: MM

DESCRIPTION:

USB 3.0 B Right Angle Type Receptacle, 15u"

SIZE

APPROVAL:

SHEET: 1 / 2

PART NO:

1003-024-02000

A4

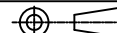
REV

DATE

FILE

BY

PROJECTION:



**CnC Tech**

Industrial Cable and Connector Technology

A

B

C

D