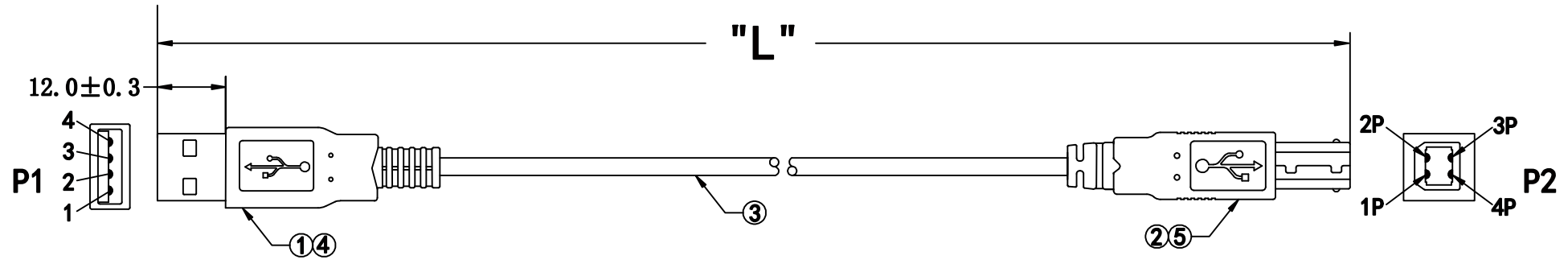


UNIT: mm

REVISION INFORMATION			
Rev.	Rev. Date	Modified By	Brief Description
A/0	19-12-25	T1225C04	NEW DRAWING

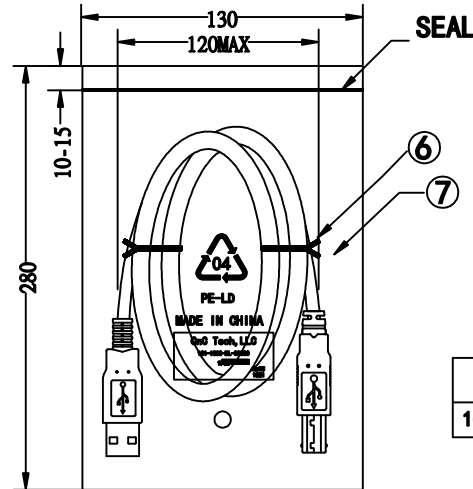


PIN ASSIGNMENT:

P1		P2
1	RED	1
2	WHITE	2
3	GREEN	3
4	BLACK	4
SHELL	DRAIN+BRAID	SHELL

Electrical test:

- 100% short, open, miswire test
- Conduct resistance: 2 Ohm (max)
- Insulation resistance: 5 Mohm (min)
- dielectric test: DC 300V



1PCS/PE BAG

CABLE WHITE PRINT

E166160 AWM 2725 80°C 30V
28AWGX1P+24AWGX2C

PART NO	WIRE LENGTH "L"	BUYER COLOR	VENDOR COLOR	CUT LENGTH
101-1030-BL-00500	5000±50		BLACK	4970-4990MM

NO.	NAME	Q'TY	SPECIFICATION
⑧	PE BAG	1/10	CLEAR SIZE: 280*330*0.05mm PRINT BLACK "MADE IN CHINA" + "10PCS"
⑦	PE BAG	1	CLEAR SIZE: 130*280*0.05mm PRINT BLACK "MADE IN CHINA" + "1PC"
⑥	TIE	2	BLACK L=120mm
⑤	OUT JACKET	6g	BLACK PVC-55P (MOULD NO: BM-2-X)
④	OUT JACKET	6g	BLACK PVC-55P (MOULD NO: 2002-527)
③	CABLE	1	BLACK USB1.1 UL2725 28#/1P+24#/20+AEB OD: 4.7mm
②	CONN	1set	USB B MALE SHELL: NICKEL PIN Q/F 3PCS TYPE INSULATOR COLOR: WHITE
①	CONN	1set	USB A MALE SHELL: NICKEL PIN Q/F 3PCS TYPE INSULATOR COLOR: WHITE

CnC Tech, LLC
Industrial Cable and Connector Technology

DRAWN BY: 张裕松	DATE: 2019/12/25	DESCRIPTION: 4C CABLE USB A/M+B/M
CHECKED BY:	SHEET 1 of 1	ITEM NO. As above
APPROVED BY:	SCALE 1:1	REV. A/0 UNIT: mm