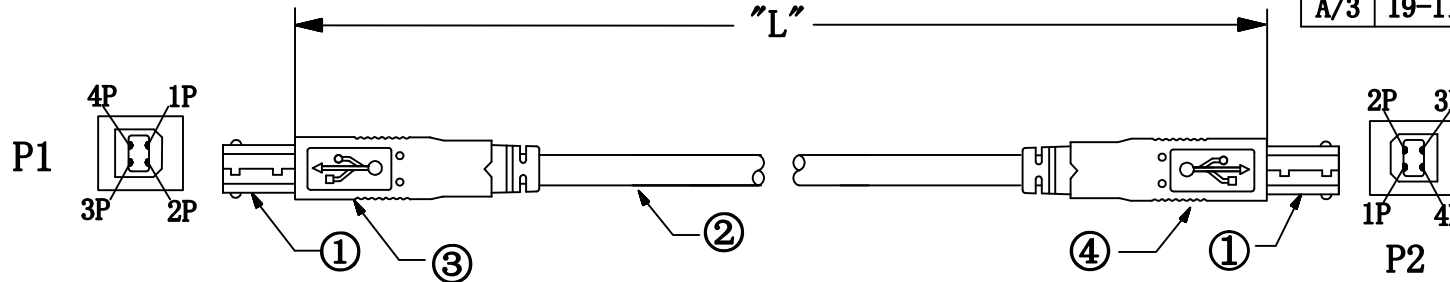


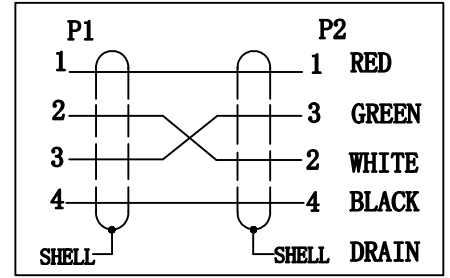
UNIT:MM

REVISION INFORMATION

Rev.	Rev. Date	Modified By	Brief Description
A/2	19-11-21	B1115A	increase DRAWING
A/3	19-11-28	B1128A	Modify wire gauge



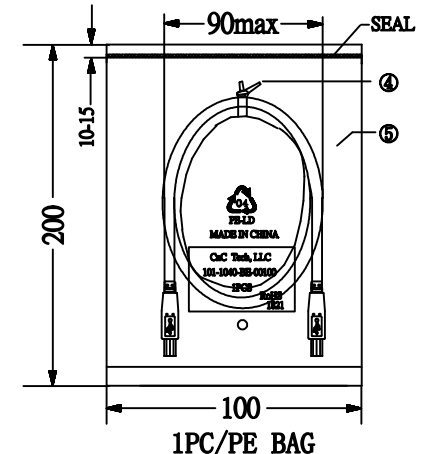
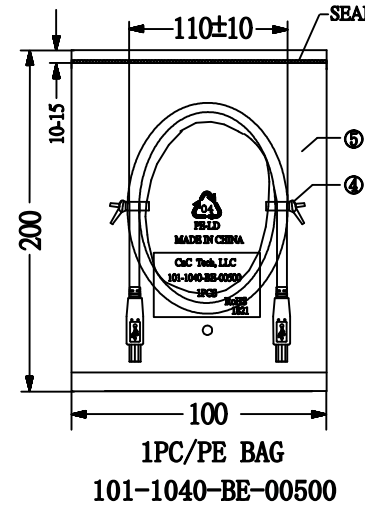
PIN ASSIGNMENT:



CABLE BLACK PRINT
E166160 AWM 2725 80°C 30V
28AWGX1P+24AWGX2C

Electrical test:
1. 100% short, open, miswire test
2. Conduct resistance: 2 Ohm(max)
3. Insulation resistance: 5Mohm(min)
4. dielectric test: DC 300V

PART NO	WIRE LENGTH "L"	BUYER COLOR	VENDOR COLOR	CUT LENGTH
101-1040-BE-00100	1000±30	BEIGE	IV-29#	1000-1010MM
101-1040-BE-00200	2000±30	BEIGE	IV-29#	2000-2010MM
101-1040-BE-00300	3000±50	BEIGE	IV-29#	3010-3020MM
101-1040-BE-00500	5000±60	BEIGE	IV-29#	5010-5020MM



⑥	PE BAG	1/5	101-1040-BE-00500	CLEAR SIZE: 230X300X0.05mm PRINT BLACK "MADE IN CHINA" + "5PCS"	
		1/10	101-1040-BE-00100	CLEAR SIZE: 230X300X0.05mm PRINT BLACK "MADE IN CHINA" + "10PCS"	
			101-1040-BE-00200		
			101-1040-BE-00300		
⑤	PE BAG	1	CLEAR SIZE: 100X200X0.05mm PRINT BLACK "MADE IN CHINA" + "1PC"		
④	TIE	1	WHITE A/B:L=100mm, C/D:L=120mm		
③	OUT JACKET	12g	BEIGE(IV-29#) PVC-55P (MOULD NO:BM-2-X)		
②	CABLE	1	BEIGE(IV-29#) USB2.0 UL2725 28#/1P+24#2C+AEB OD:4.7mm		
①	CONN	2	USB B MALE NICKEL PIN G/F 3PCS TYPE INSULATOR COLOR:WHITE		
NO.	NAME	QTY	SPECIFICATION		

CnC Tech, LLC
Industrial Cable and Connector Technology

DRAWN BY:	DATE: 2019/11/28	DESCRIPTION: 4C CABLE USB B/M+
CHECKED BY:	SHEET 1 of 1	ITEM NO. As above
APPROVED BY:	SCALE 1:1	REV. A/3
		UNIT: mm