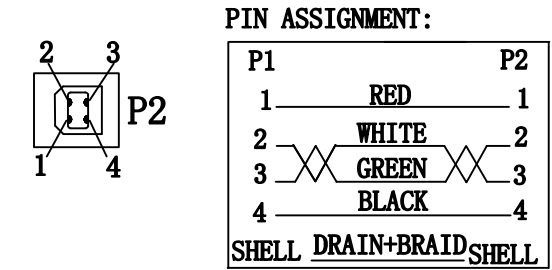
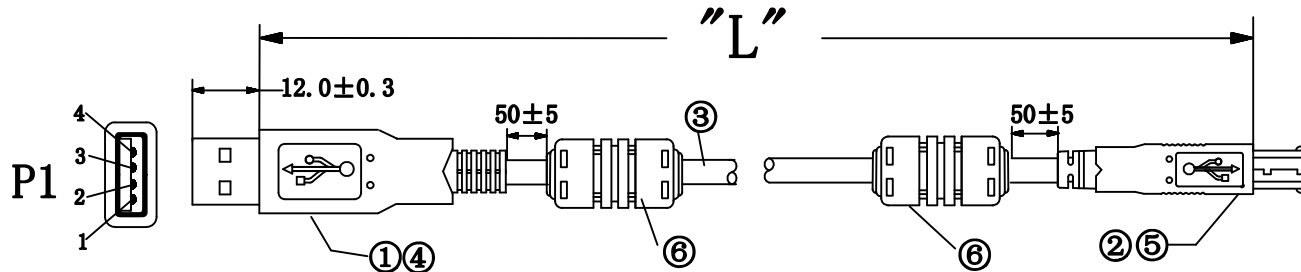


UNIT:MM

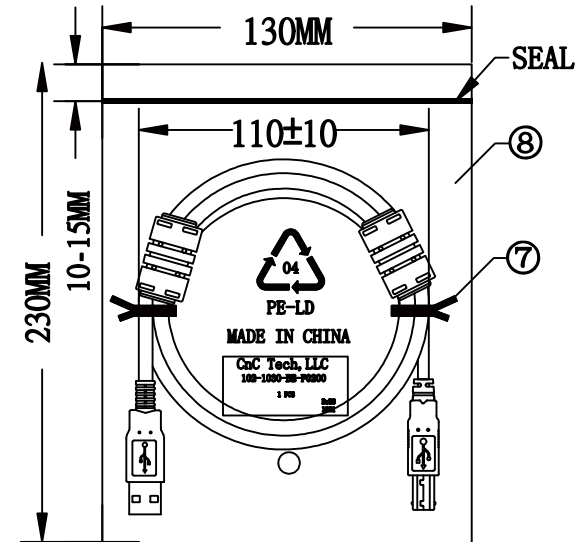
REVISION INFORMATION			
Rev.	Rev. Date	Modified By	Brief Description
A/0	18-07-03	T0702A	NEW DRAWING
A/1	18-08-30	B0829A	修改成型胶粒硬度



CABLE BLACK PRINT  
 E166160 AWM 2725 80°C 30V  
 28AWGX1P+24AWGX2C USB2.0

Electrical test:  
 1. 100% short, open, miswire test  
 2. Conduct resistance: 2 Ohm (max)  
 3. Insulation resistance: 10Mohm (min)  
 4. dielectric test: DC 300V

PART NO	WIRE LENGTH "L"	BUYER COLOR	VENDOR COLOR	CUT LENGTH
102-1030-BE-F0200	2000±50	BEIGE	IV-29#	2010-2020MM



NO.	NAME	QTY	SPECIFICATION
⑨	PE BAG	1/10	CLEAR SIZE:280X330X0.05mm PRINT BLACK"MADE IN CHINA"+"10PCS"
⑧	PE BAG	1	CLEAR SIZE:130X230X0.05mm PRINT BLACK"MADE IN CHINA"+"1PCS"
⑦	TIE	2	WHITE L=100mm
⑥	OUT JACKET	18g	BEIGE 55P PVC (MOLD NO:CH003)
	FERRITE	2	CORE OD12*5.6*L20 BLACK
⑤	OUT JACKET	6g	BEIGE (IV-29#) PVC-55P (MOULD NO:BM-2-X)
④	OUT JACKET	6g	BEIGE (IV-29#) PVC-55P (MOULD NO:2002-527)
③	CABLE	1	BEIGE (IV-29#) USB2.0 UL2725 28#/1P+24#/2C+AEB OD:4.7mm
②	CONN	1set	USB2.0 B MALE SHELL:NICKEL PIN G/F 3PCS TYPE INSULATOR COLOR:WHITE
①	CONN	1set	USB2.0 A MALE SHELL:NICKEL PIN G/F 3PCS TYPE INSULATOR COLOR:WHITE

**CnC Tech, LLC**  
 Industrial Cable and Connector Technology

DRAWN BY:	DATE: 2018/08/30	DESCRIPTION: 4C CABLE USB A/M+B/M
CHECKED BY:	SHEET 1 of 1	ITEM NO. As above
APPROVED BY:	SCALE 1:1	REV. A/1 UNIT: mm