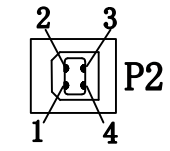
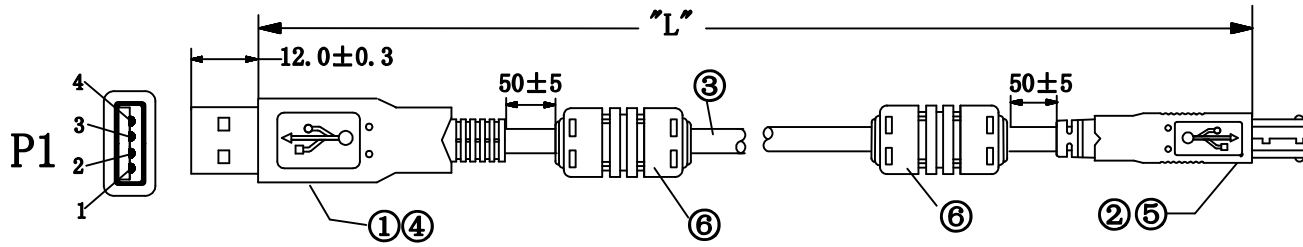


UNIT:MM

REVISION INFORMATION			
Rev.	Rev. Date	Modified By	Brief Description
A/0	18-10-11	T1011A	NEW DRAWING



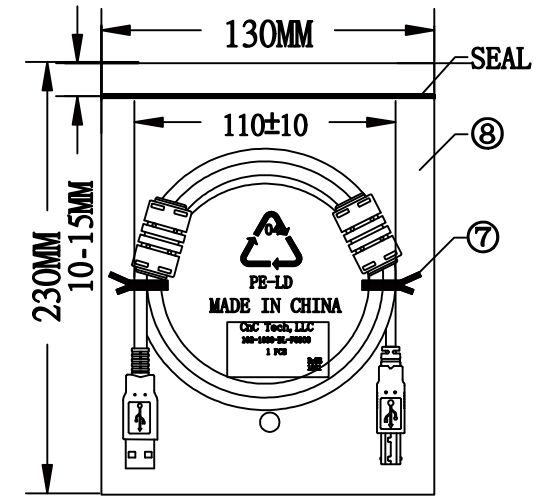
PIN ASSIGNMENT:

P1		P2
1	RED	1
2	WHITE	2
3	GREEN	3
4	BLACK	4
SHELL DRAIN+BRAID		SHELL

1. CABLE BLACK PRINT
 E166160 AWM 2725 80°C 30V
 28AWGX1P+24AWGX2C USB2.0

Electrical test:
 1. 100% short, open, miswire test
 2. Conduct resistance: 2 Ohm (max)
 3. Insulation resistance: 10Mohm (min)
 4. dielectric test: DC 300V

PART NO	WIRE LENGTH "L"	BUYER COLOR	VENDOR COLOR	CUT LENGTH
102-1030-BE-F0300	3000±50	BEIGE	IV-29#	3010-3020MM



1PCS/PE BAG

NO.	NAME	QTY	SPECIFICATION
⑨	PE BAG	1/10	CLEAR SIZE: 280X330X0.05mm PRINT BLACK "MADE IN CHINA" + "10PCS"
⑧	PE BAG	1	CLEAR SIZE: 130X230X0.05mm PRINT BLACK "MADE IN CHINA" + "1PCS"
⑦	TIE	2	WHITE L=120mm
⑥	OUT JACKET		BEIGE (IV-29#) 55P PVC (MOLD NO: CH003)
	FERRITE	2	CORE OD12X5.6XL20 BLACK
⑤	OUT JACKET		BEIGE (IV-29#) PVC-55P (MOULD NO: BM-2-X)
④	OUT JACKET		BEIGE (IV-29#) PVC-55P (MOULD NO: 2002-527)
③	CABLE	1	BEIGE (IV-29#) USB2.0 UL2725 28#/1P+24#/2C+AEB OD: 4.7mm
②	CONN	1set	USB2.0 B MALE SHELL: NICKEL PIN G/F 3PCS TYPE INSULATOR COLOR: WHITE
①	CONN	1set	USB2.0 A MALE SHELL: NICKEL PIN G/F 3PCS TYPE INSULATOR COLOR: WHITE

CnC Tech, LLC
 Industrial Cable and Connector Technology

DRAWN BY:	DATE: 2018/10/11	DESCRIPTION: 4C CABLE USB A/M+B/M
CHECKED BY:	SHEET 1 of 1	ITEM NO. As above
APPROVED BY:	SCALE 1:1	REV. A/0 UNIT: mm