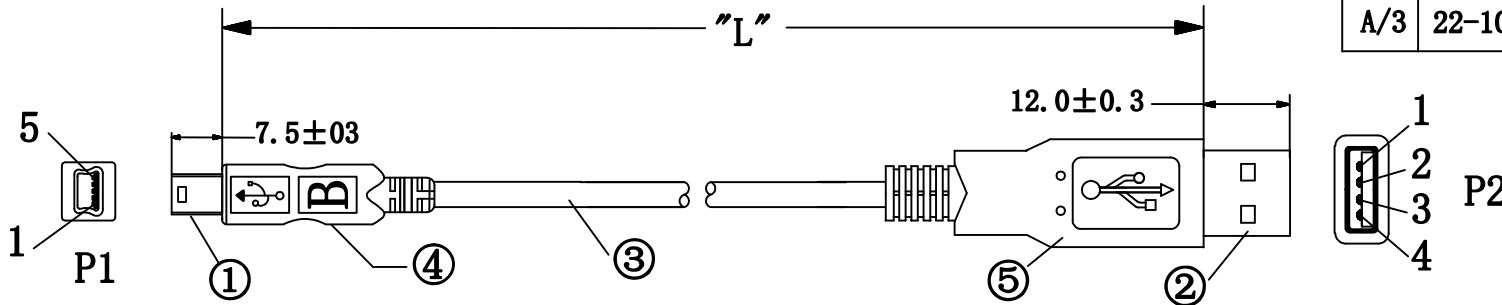


UNIT:MM

REVISION INFORMATION

Rev.	Rev. Date	Modified By	Brief Description
A/2	19-12-05	B1205A	increase DRAWING
A/3	22-10-24	B221024D01	Modify the contents of single PCS and plastic bag stickers



PIN ASSIGNMENT:

P1		P2
1	RED	1
2	WHITE	2
3	GREEN	3
5	BLACK	4
SHELL DRAIN+BRAID		SHELL

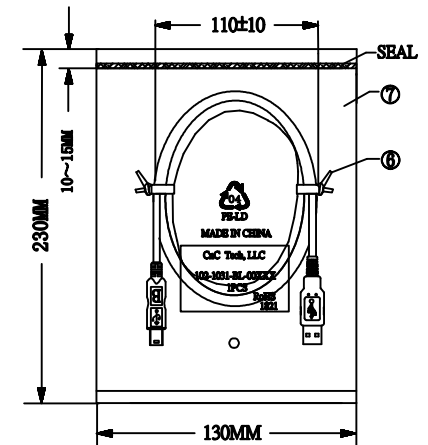
CABLE WHITE PRINT

E166160 AWM 2725 80°C 30V
28AWGX1P+28AWGX2C USB2.0

Electrical test:

- 100% short, open, miswire test
- Conduct resistance: 2 Ohm(max)
- Insulation resistance: 10Mohm(min)
- dielectric test: DC 300V

PART NO	WIRE LENGTH "L"	BUYER COLOR	VENDOR COLOR	CUT LENGTH
102-1031-BL-00100	1000±15		BLACK	1010-1020MM
102-1031-BL-00200	2000±15		BLACK	2010-2020MM
102-1031-BL-00300	3000±50		BLACK	3010-3020MM
102-1031-BL-00500	5000±60		BLACK	5010-5020MM



1PCS/PE BAG

⑧	PE BAG	1/5	102-1031-BL-00500	CLEAR SIZE:280X330X0.05mm PRINT BLACK"MADE IN CHINA"+"5PCS"
		1/10	102-1031-BL-00100 102-1031-BL-00200 102-1031-BL-00300	CLEAR SIZE:280X330X0.05mm PRINT BLACK"MADE IN CHINA"+"10PCS"
	⑦	PE BAG	1	CLEAR SIZE:130X230X0.05mm PRINT BLACK"MADE IN CHINA"+"1PC"
	⑥	TIE	2	A/B:BLACK L=90mm, C/D:L=120mm
⑤	OUT JACKET	6g	BLACK PVC-55P (MOULD NO:2002-527)	
④	OUT JACKET	6g	BLACK PVC-55P (MOULD NO:WM-88)	
③	CABLE	1	BLACK USB2.0 UL2725 28#/1P+28#/2C+AEB OD:3.8mm	
②	CONN	1set	USB2.0 A/TYPE MALE SHELL:NICKEL PIN:G/F 4PCS TYPE INSULATOR COLOR:WHITE	
①	CONN	1set	USB2.0 MINI 5P MALE SHELL:NICKEL PIN:G/F 3PCS INSULATOR COLOR:BLACK	
NO.	NAME	QTY	SPECIFICATION	

CnC Tech, LLC
Industrial Cable and Connector Technology

DRAWN BY:	DATE: 2022/10/24	DESCRIPTION: 4C CABLE USB A/M+MINI 5P/M
CHECKED BY:	SHEET 1 of 1	ITEM NO. As above
APPROVED BY:	SCALE 1:1	REV. A/3 UNIT: mm