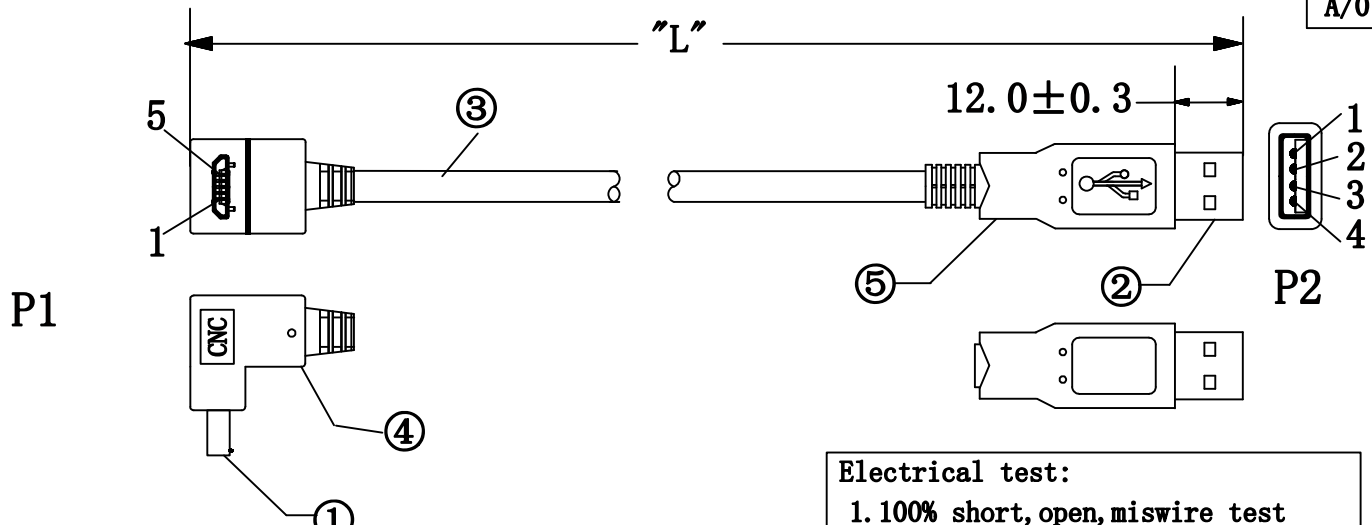


UNIT:MM

REVISION INFORMATION			
Rev.	Rev. Date	Modified By	Brief Description
A/0	18-08-06	T0806A	NEW DRAWING



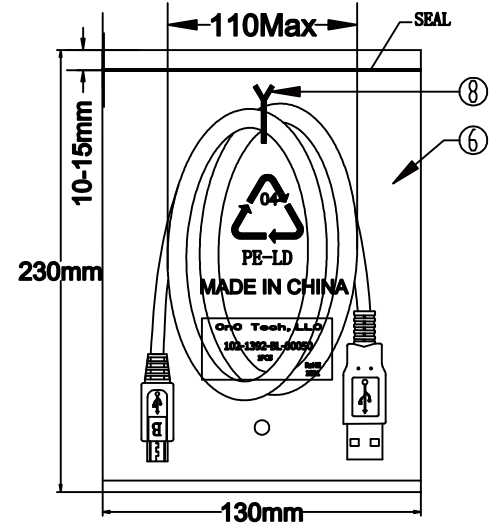
PIN ASSIGNMENT:

P1		P2
1	RED	1
2	WHITE	2
3	GREEN	3
5	BLACK	4
SHELL DRAIN+BRAID		SHELL

Electrical test:
 1. 100% short, open, miswire test
 2. Conduct resistance: 2 0hm(max)
 3. Insulation resistance: 10Mohm(min)
 4. dielectric test: DC 300V

CABLE BLACK PRINT
 E166160 AWM 2725 80°C 30V
 28AWGX1P+28AWGX2C USB2.0

PART NO	WIRE LENGTH "L"	BUYER COLOR	VENDOR COLOR	CUT LENGTH
102-1392-BL-00050	500 ± 15		BLACK	490-500MM



1PCS/PE BAG

NO.	NAME	QTY	SPECIFICATION
⑧	TIE	1	BLACK L=70mm
⑦	PE BAG	1/10	CLEAR SIZE:280X330X0.05mm PRINT BLACK"MADE IN CHINA"+"10PCS"
⑥	PE BAG	1	CLEAR SIZE:130X230X0.05mm PRINT BLACK"MADE IN CHINA"+"1PC"
⑤	OUT JACKET	6g	BLACK PVC-40P (MOULD NO:2002-527)
④	IN JACKET	2g	CAEAR PE (MOULD NO:NM-140)
	OUT JACKET	6g	BLACK PVC-40P (MOULD NO:WM-272)
③	CABLE	1	USB2.0 UL2725 [28AWGX1P+28AWGX2C]+AEB JACKET:BLACK OD:3.8mm
②	CONN	1set	USB A MALE SHELL:NICKEL PIN G/F 3PCS TYPE INSULATOR COLOR:WHITE
①	CONN	1	MICRO USB 5P B/M SOLDER TYPE SHELL:NICKEL PIN:G/F INSULATOR COLOR:BLACK

CnC Tech, LLC
 Industrial Cable and Connector Technology

DRAWN BY:	DATE: 2018/08/06	DESCRIPTION: 4C CABLE USB A/M+MICRO USB
CHECKED BY:	SHEET 1 of 1	ITEM NO. As above
APPROVED BY:	SCALE 1:1	REV. A/0 UNIT: mm