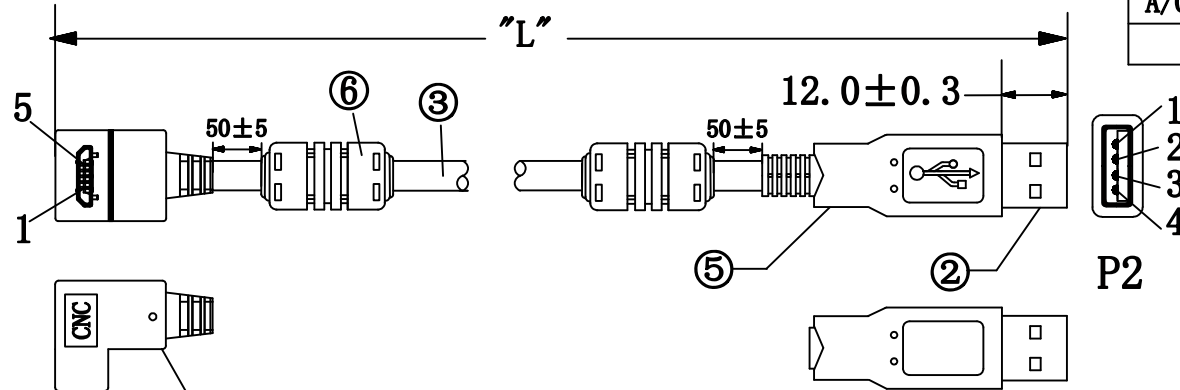


UNIT:MM

REVISION INFORMATION			
Rev.	Rev. Date	Modified By	Brief Description
A/0	19-10-04	T1004A	NEW DRAWING



PIN ASSIGNMENT:

P1		P2
1	RED	1
2	WHITE	2
3	GREEN	3
5	BLACK	4
SHELL DRAIN+BRAID		SHELL

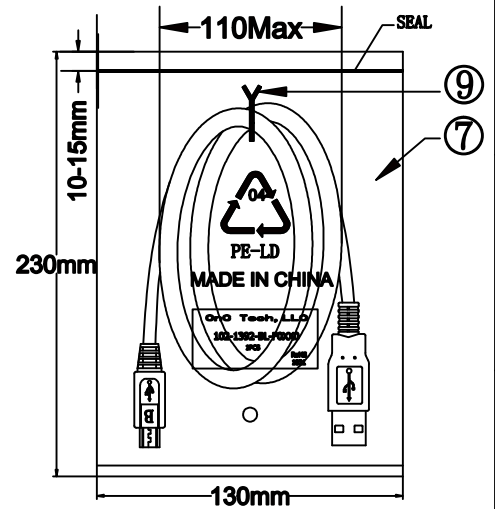
P1

P2

CABLE BLACK PRINT
E166160 AWM 2725 80°C 30V
28AWGX1P+28AWGX2C USB2.0

Electrical test:
1. 100% short, open, miswire test
2. Conduct resistance: 2 Ohm(max)
3. Insulation resistance: 10Mohm(min)
4. dielectric test: DC 300V

PART NO	WIRE LENGTH "L"	BUYER COLOR	VENDOR COLOR	CUT LENGTH
102-1392-BL-F0050	500±15		BLACK	490-500MM
102-1392-BL-F0100	1000±20		BLACK	990-1000MM
102-1392-BL-F0200	2000±30		BLACK	1990-2000MM



1PCS/PE BAG

CnC Tech, LLC
Industrial Cable and Connector Technology

DRAWN BY:	DATE: 2019/10/04	DESCRIPTION: 4C CABLE USB A/M+MICRO USB
CHECKED BY:	SHEET 1 of 1	ITEM NO. As above
APPROVED BY:	SCALE 1:1	REV. A0 UNIT: mm

⑨	TIE	1	BLACK A.B图: L=70mm C图: L=80mm
⑧	PE BAG	1/10	CLEAR SIZE:280X330X0.05mm PRINT BLACK"MADE IN CHINA"+"10PCS"
⑦	PE BAG	1	CLEAR SIZE:130X230X0.05mm PRINT BLACK"MADE IN CHINA"+"1PC"
⑥	OUT JACKET	14.5g	BLACK 55P PVC (MOLD NO:CH003)
	FERRITE	2	CORE OD12X5.6XL20 BLACK
⑤	OUT JACKET	6g	BLACK PVC-55P (MOULD NO:2002-527)
④	IN JACKET	2g	CAEAR PE (MOULD NO:NM-140)
	OUT JACKET	6g	BLACK PVC-55P (MOULD NO:WM-272)
③	CABLE	1	USB2.0 UL2725 [28AWGX1P+28AWGX2C]+AEB JACKET:BLACK OD:3.8mm
②	CONN	1set	USB A MALE SHELL:NICKEL PIN G/F 3PCS TYPE INSULATOR COLOR:WHITE
①	CONN	1	MICRO USB 5P B/M SOLDER TYPE SHELL:NICKEL PIN:G/F INSULATOR COLOR:BLACK
NO.	NAME	QTY	SPECIFICATION