

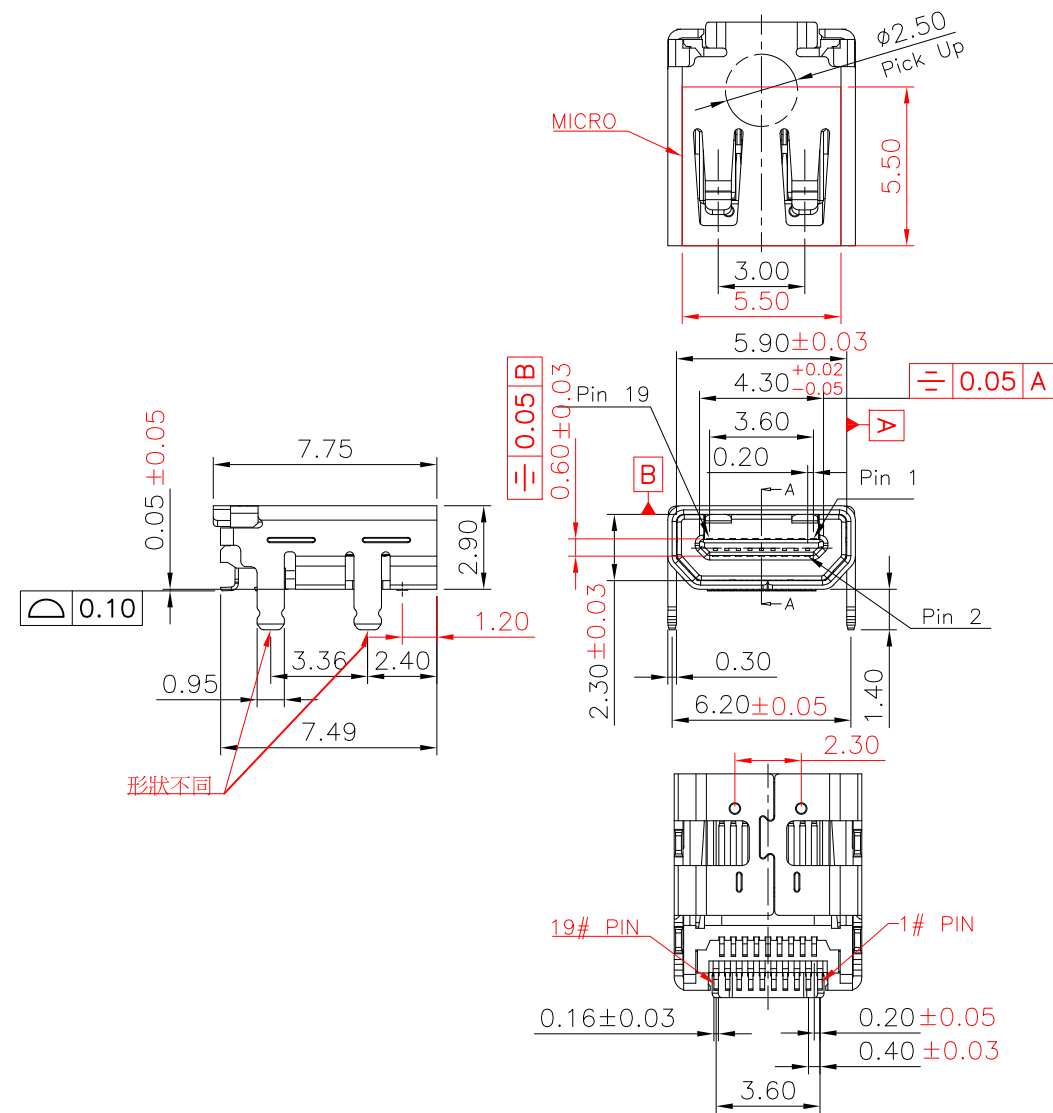
1

2

3

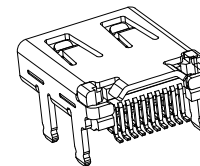
4

5



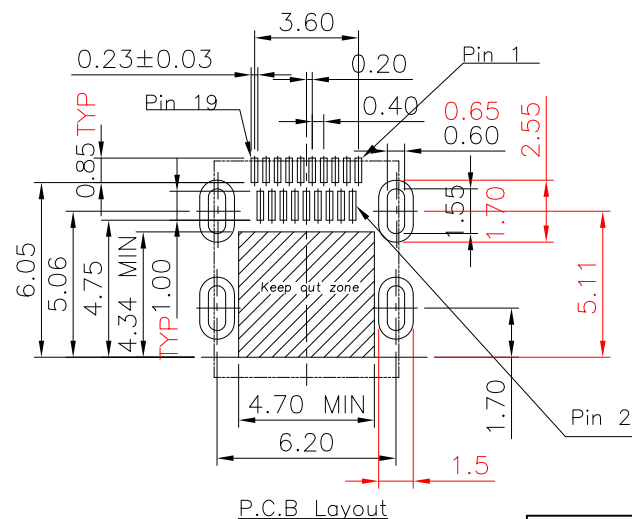
Specifications:

Current Rating:0.3A AC,DC  
Voltage Rating:40V AC,DC  
Contact Resistance:10m ohm.Max  
Insulation Resistance:100M ohm.Min  
Withstanding Voltage:250V AC/Minute  
Operating Temperature Range:-25°C~+85°C



Material:

Insulator:High Temp. Plastic UL94V-0  
Insulator Color:Black  
Contact:Copper Alloy  
Plated:Gold Plated on Contact Area,  
Tin Plated on Solder Tail.  
Shell:Copper Alloy Nickel Plated



Note: Dimension in red represents old dimension

RoHS Compliant

				DRAWN:	GENERAL TOLERANCE: .X=±0.25 .XX=±0.15	<h1 style="color: red; text-align: center;">CnC Tech</h1> <p style="text-align: center;">Industrial Cable and Connector Technology</p>	
				CHECKED:	UNIT: MM		
				APPROVAL:	SCALE:1:1	Micro HDMI-19Ways SMT Right Angle Type	SIZE
05-FEB-2020					SHEET: 1 / 1	PART NO:	A4
REV	DATE	FILE	BY		PROJECTION:	2002-1-2-20-30-BK	