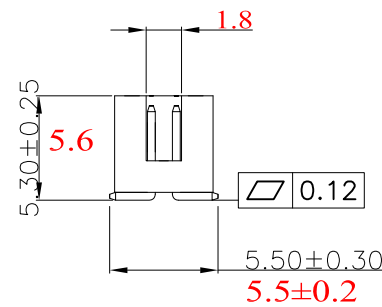
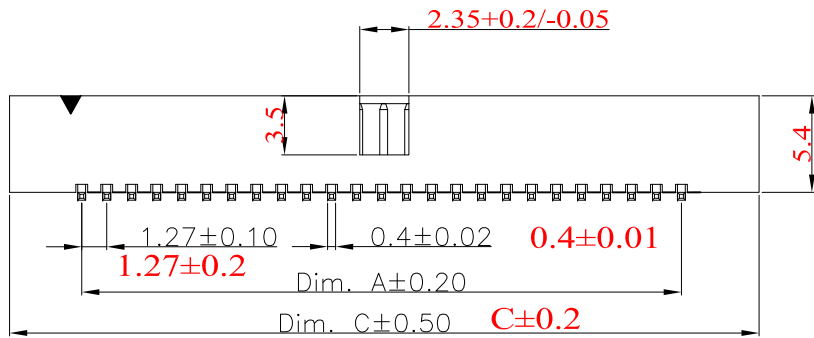


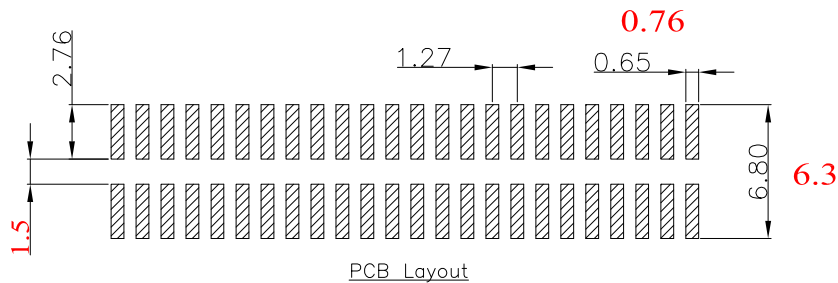
Specifications:

Current rating: 1.0A AC, DC  
 Voltage rating: 50V AC, DC  
 Contact resistance: 20m ohm Max **20M**  
 Insulation resistance: 1,000M ohm Min  
 Withstanding voltage: 500V AC/minute  
 Operating Temperature: -40°C ~ +105°C



Materials:

Insulator: Nylon 9T(UL94V-0) **6T**  
 Standard Color: Black  
 Terminal: Brass  
 Finish: Gold Plated



Circuits	Dim					
	A	prior 20/06	B	prior 20/06	C	prior 20/06
8	3.81		9.83		11.43	
10	5.08	5.08	11.10	11.25	12.70	12.65
14	7.62	7.62	13.64	13.79	15.24	15.19
16	8.89	8.89	14.91	15.06	16.51	16.46
20	11.43	11.43	17.45	17.60	19.05	19.00
26	15.24	15.24	21.26	21.41	22.86	22.81
30	17.78	17.78	23.80	23.95	25.40	25.35
34	20.32	20.32	26.34	26.49	27.94	27.89
40	24.13	24.13	30.15	30.30	31.75	31.70
50	30.48	30.48	36.50	36.65	38.10	38.05
60	36.83	36.83	42.85	43.00	44.45	44.40

Note: Dimension in red represents old dimension

RoHS Compliant

				DRAWN:	GENERAL TOLERANCE: .X=±0.20 ±0.25 .XX=±0.15 ±0.2	<h1 style="color: red; text-align: center;">CnC Tech</h1> <p style="text-align: center;">Industrial Cable and Connector Technology</p>	
				CHECKED:			
					SCALE: 1:1	1.27mm Box Header SMT Type	
	05-FEB-2020			APPROVAL:	SHEET: 1 / 1		
REV	DATE	FILE	BY		PROJECTION:	3221-XX-0300-00	

