

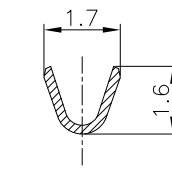
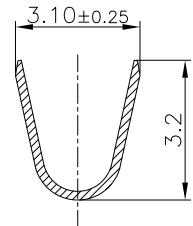
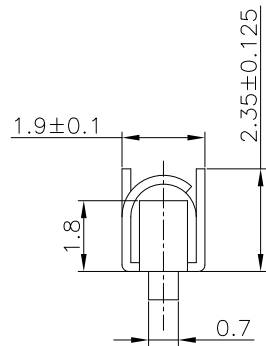
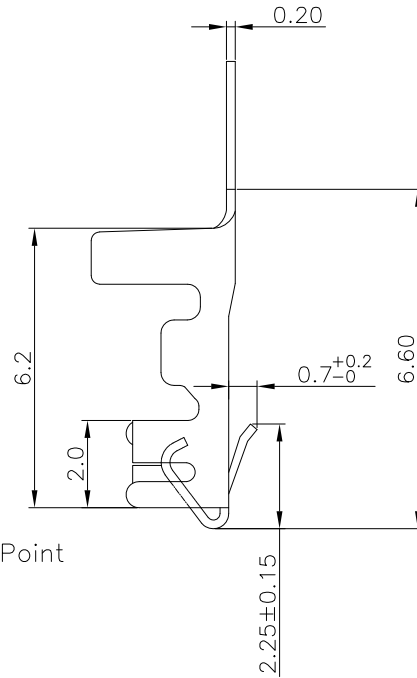
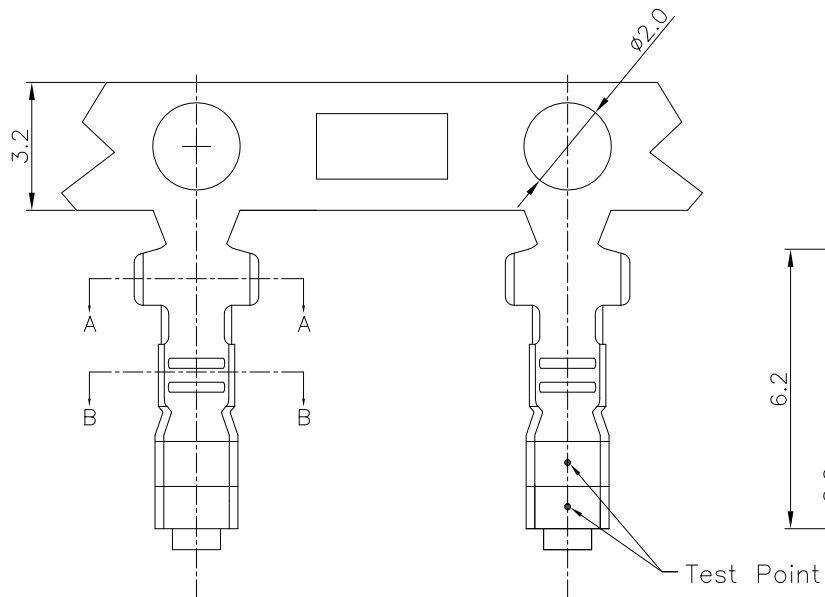
1

2

3

4

5



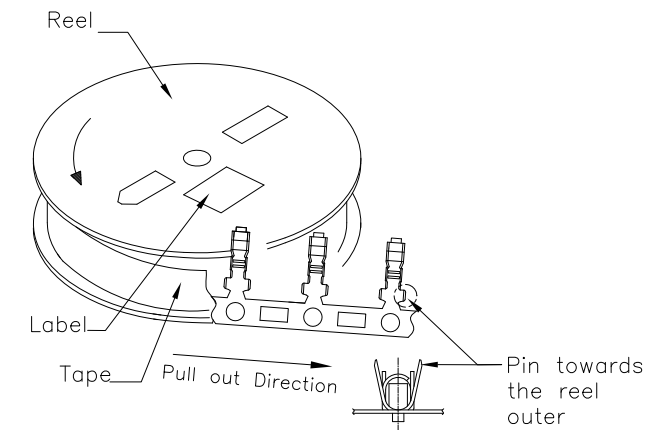
Section:A-A

Section:B-B

Test Point

Specifications:  
 Current Rating:3.0A AC,DC  
 Voltage Rating:250V AC,DC  
 Contact Resistance:20mohm Max  
 Insulation Resistance:1000Mohm Min.  
 Withstanding Voltage:1000V AC/minute  
 Operating Temperature Range:-40°C~+85°C  
 Application Wires:AWG 22 to 28  
 Mates With 51225-XX Series Housing

Material And Finish:  
 Contact:Phosphor Brass  
 Finish:Tin Plated



RoHS Compliant

				DRAWN:
				CHECKED:
				APPROVAL:
REV	DATE	FILE	BY	

GENERAL TOLERANCE: .X=±0.20 .XX=±0.15
UNIT: MM
SCALE:1:1
SHEET: 1 / 1
PROJECTION:

<b>CnC Tech</b> Industrial Cable and Connector Technology	
DESCRIPTION:	Wire-To Board Housing Terminal, 2.5mm J Series
PART NO:	51325

SIZE	A4
------	----

A

B

C

D