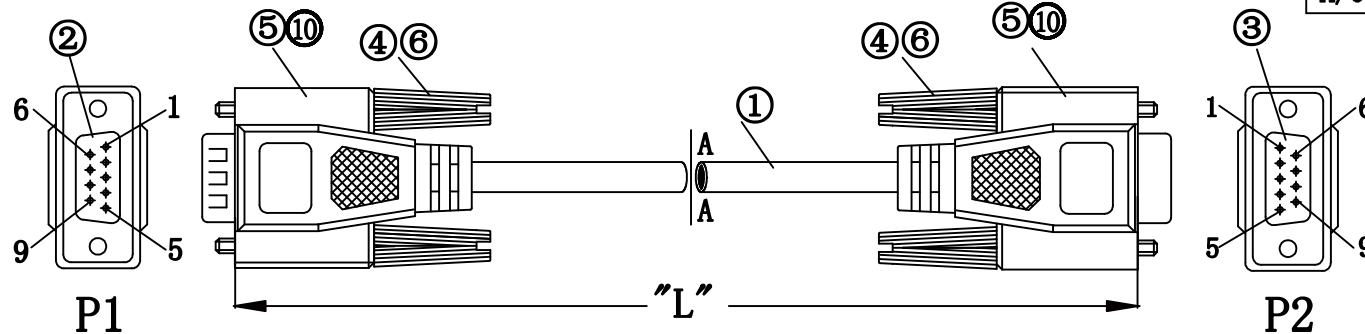


UNIT:MM

REVISION INFORMATION

Rev.	Rev. Date	Modified By	Brief Description
A/0	18-08-07	T0806A	NEW DRAWING



PIN ASSIGNMENT:

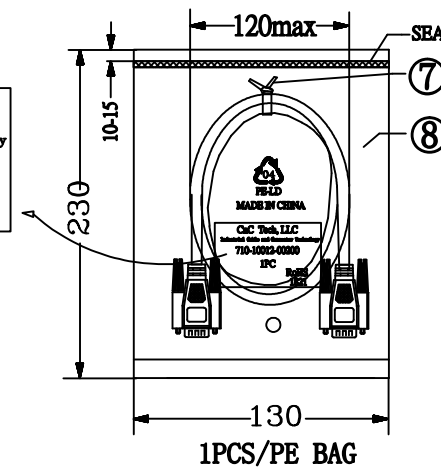
P1	COLOR	P2
1	BLACK	1
2	GREY	2
3	YELLOW	3
4	PURPLE	4
5	ORANGE	5
6	RED	6
7	BROWN	7
8	GREEN	8
9	BLUE	9
SHELL	D. W	SHELL

Electrical test:

- 100% short, (Open, Short, Miss Wire)
- Conduct resistance: 2 Ohm(max)
- Insulation resistance: 5Mohm(min)
- Hi-Pot: 300V DC/10ms

PART NO	WIRE LENGTH "L"	BUYER COLOR	VENDOR COLOR	CUT LENGTH
710-10012-00200	2000±50	BEIGE	IV-29#	2010-2020MM

CnC Tech, LLC
Industrial Cable and Connector Technology
710-10012-00200
IPC
RoHS
1821



NO.	NAME	QTY	SPECIFICATION
⑩	TUBE	2	HEAT SHRINK TUBE BLACK OD:1.5*L15MM
⑨	PE BAG	1/10	CLEAR SIZE:280X330X0.05mm PRINT BLACK"MADE IN CHINA"+10PCS"
⑧	PE BAG	1	CLEAR SIZE:130X230X0.05mm PRINT BLACK"MADE IN CHINA"+1PC"
⑦	TIE	1	WHITE L=120mm
⑥	MOLDED		2002-134/135 (PVC 55P COLOR:IV-29#)
⑤	MOLDED		2002-133 (PVC 55P COLOR:IV-29#)
④	SCREW	4	THUMB SCREW 4*47MM (4#-40UNC) NICKEL
③	CONN	1	DB 9PIN FEMALE PIN G/F SHELL-NICKEL SOLDER TYPE INSULATION COLOR:BLUE
②	CONN	1	DB 9PIN MALE PIN G/F SHELL-NICKEL SOLDER TYPE INSULATION COLOR:BLUE
①	CABLE	1	NOUL 28AWG (7/0.12)*9C+D. W+AL/MY+JACKET COLOR:BEIGE (IV-29#) OD:5.0mm

CnC Tech, LLC
Industrial Cable and Connector Technology

DRAWN BY:	DATE: 2018/08/07	DESCRIPTION: 9C CABLE DB9P/M+DB9P/F
CHECKED BY:	SHEET 1 of 1	ITEM NO. As above
APPROVED BY:	SCALE 1:1	REV. A/0 UNIT: mm