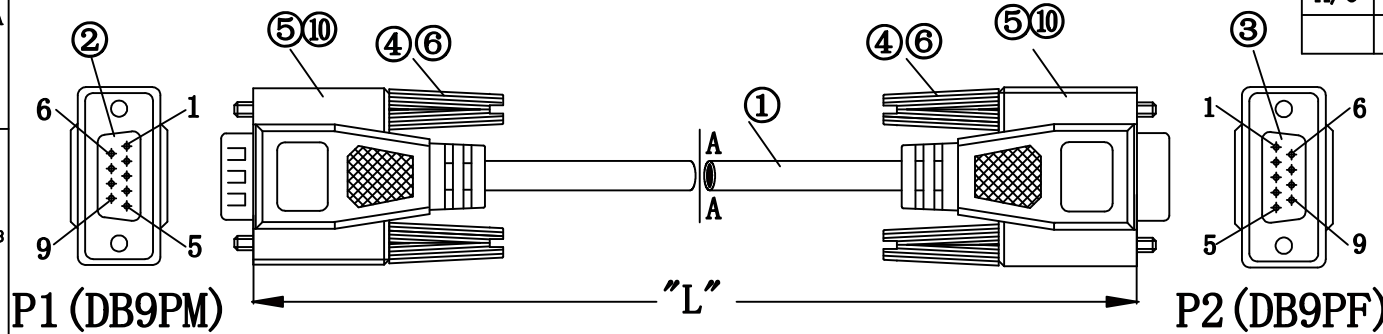


UNIT:MM

REVISION INFORMATION

Rev.	Rev. Date	Modified By	Brief Description
A/0	21-09-17	T0917C01	NEW DRAWING



PIN ASSIGNMENT:

P1	COLOR	P2
1	BLACK	1
2	GREY	2
3	YELLOW	3
4	PURPLE	4
5	ORANGE	5
6	RED	6
7	BROWN	7
8	GREEN	8
9	BLUE	9
SHELL	D. W	SHELL

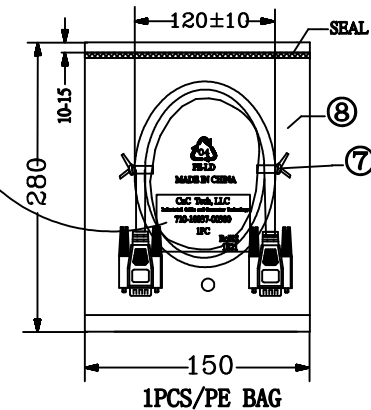
Electrical test:

1. 100% short, (Open, Short, Miss Wire)
2. Conduct resistance:5 Ohm(max)
3. Insulation resistance:5Mohm(min)
4. Hi-Pot:300V DC

PART NO	WIRE LENGTH "L"	BUYER COLOR	VENDOR COLOR	CUT LENGTH
710-10037-00300	3000±50	BEIGE	IV-29#	3010-3020MM

CnC Tech, LLC
Industrial Cable and Connector Technology
710-10037-00300
IPC
RoHS 1821

依实际生产周期



CnC Tech, LLC
Industrial Cable and Connector Technology

DRAWN BY:	DATE: 2021/09/17	DESCRIPTION: 3M 9C CABLE DB9P/M+DB9P/F
CHECKED BY:	SHEET 1 of 1	ITEM NO. As above
APPROVED BY:	SCALE 1:1	REV. A/0 UNIT: mm

NO.	NAME	QTY	SPECIFICATION
⑩	TUBE	2	HEAT SHRINK TUBE BLACK OD:1.5*L15MM
⑨	PE BAG	1/10	CLEAR SIZE:360X380X0.05MM PRINT BLACK"MADE IN CHINA"+"10PCS"印生产周期, 有透气孔
⑧	PE BAG	1	CLEAR SIZE:150X280X0.05MM PRINT BLACK"MADE IN CHINA"+"10PCS"印生产周期, 有透气孔
⑦	TIE	1	WHITE L=100MM
⑥	MOLDED		2002-134/135 (PVC 55P COLOR:IV-29#)
⑤	MOLDED		2002-133 (PVC 55P COLOR:IV-29#)
④	SCREW	4	THUMB SCREW 4*47MM (4#-40UNC) NICKEL
③	CONN	1	DB 9PIN FEMALE PIN G/F SHELL-NICKEL SOLDER TYPE INSULATION COLOR:BLUE
②	CONN	1	DB 9PIN MALE PIN G/F SHELL-NICKEL SOLDER TYPE INSULATION COLOR:BLUE
①	CABLE	1	NOUL 30AWG(7/0.10)*9C+D.W+AL/MY+JACKET COLOR:BEIGE(IV-29#) OD:5.0mm