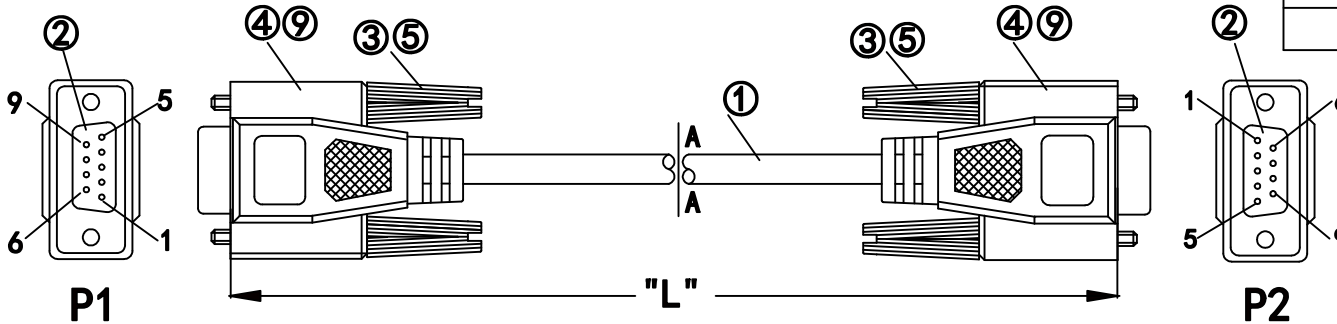


UNIT:MM

REVISION INFORMATION

Rev.	Rev. Date	Modified By	Brief Description
A/0	20-03-31	T0320C01	NEW DRAWING

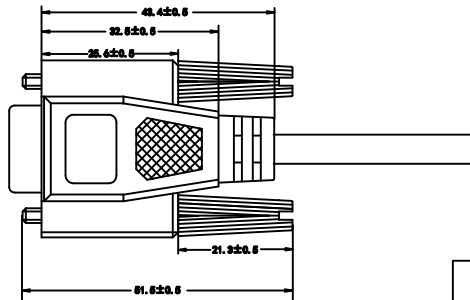


PIN ASSIGNMENT:

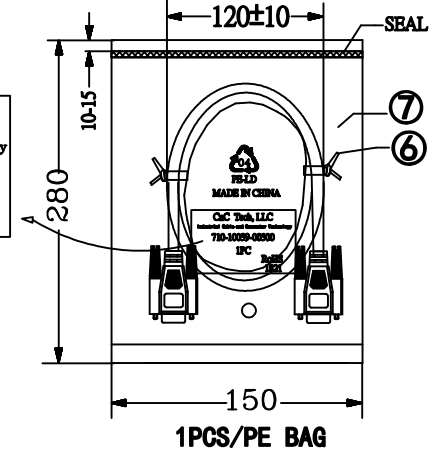
P1	COLOR	P2
1	BLACK	1
2	GREY	2
3	YELLOW	3
4	PURPLE	4
5	ORANGE	5
6	RED	6
7	BROWN	7
8	GREEN	8
9	BLUE	9
SHELL D. W.		SHELL

Electrical test:

- 100% short, (Open, Short, Miss Wire)
- Conduct resistance: 2 Ohm (max)
- Insulation resistance: 5Mohm (min)
- Hi-Pot: 300V DC/10ms



**CnC Tech, LLC**  
 Industrial Cable and Connector Technology  
 710-10039-00300  
 1PC  
 RoHS 1821



PART NO	WIRE LENGTH "L"	BUYER COLOR	VENDOR COLOR	CUT LENGTH
710-10039-00300	3000±100	BEIGE	IV-29#	3020-3030MM

⑨	TUBE	2	HEAT SHRINK TUBE BLACK OD:1.5*L15MM	
⑧	PE BAG	1/10	CLEAR SIZE:360X380X0.05mm PRINT BLACK"MADE IN CHINA"+"10PCS"	
⑦	PE BAG	1	CLEAR SIZE:150X280X0.05mm PRINT BLACK"MADE IN CHINA"+"1PC"	
⑥	TIE	2	WHITE L=120mm	
⑤	MOLDED		2002-134/135 (PVC 30P COLOR:IV-29#)	
④	MOLDED		2002-133 (PVC 40P COLOR:IV-29#)	
③	SCREW	4	THUMB SCREW 4*47MM (4#-40UNC) NICKEL	
②	CONN	2	DB 9PIN FEMALE PIN G/F SHELL-NICKEL SOLDER TYPE INSULATION COLOR:BLUE	
①	CABLE	1	NOUL 30AWG (7/0.10)*90+D.W+AL/MY+JACKET COLOR:BEIGE (IV-29#) OD:5.0mm	
NO.	NAME	QTY	SPECIFICATION	

**CnC Tech, LLC**  
 Industrial Cable and Connector Technology

DRAWN BY:	DATE: 2020/03/31	DESCRIPTION: 9C CABLE DB9P/F+DB9P/F
CHECKED BY:	SHEET 1 of 1	ITEM NO. 710-10039-00300
APPROVED BY:	SCALE 1:1	REV. A/0
		UNIT: mm