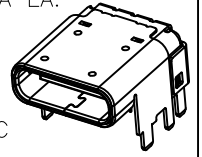
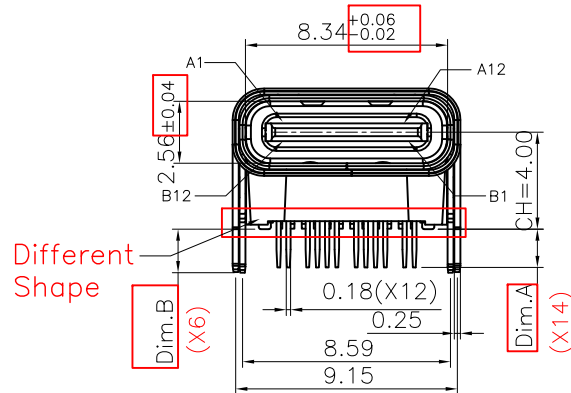
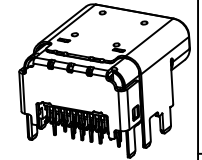


Note: Dimension in red represents old dimension

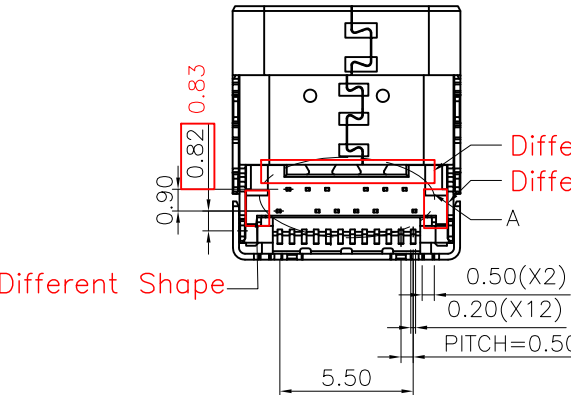
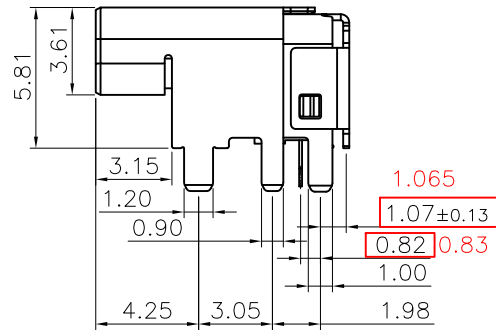
Specifications:
 Current Rating: VBUS and GND Contacts 1.25A EA.
 Paralleled for a Total of 5A
 Contact Resistance: 40m ohm.Max
 Insulation Resistance: 100M ohm.Min
 Withstanding Voltage: 100V AC/Minute
 Operating Temperature Range: -40°C ~ +85°C



Material And Finish:
 Insulator: High Temp. Plastic (UL94V-0)
 Insulator Color: Black
 Contact: Copper Alloy
 Plated: Contact Area 30u" Gold Plated
 Shell: Metal, Ni Plated

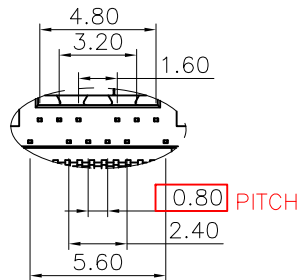


Different Shape



Different Shape

Different Shape
 Different Shape



SECTION:A-A

PART NO.	Dim.A	Dim.B
C-ARA1-AK515-1	1.2	1.8
C-ARA1-AK511-1	1.6	1.8
C-ARA1-AK512-1	1.4	1.4

Table A:

Pin No.	A1	A2	A3	A4	A5	A6	A7	A8	A9	A10	A11	A12
Signal Name	GND	SSTXp1	SSTXn1	VBUS	CC1	Dp1	Dn1	SBU1	VBUS	SSRXn2	SSRxp2	GND
Pin No.	B12	B11	B10	B9	B8	B7	B6	B5	B4	B3	B2	B1
Signal Name	GND	SSRXp1	SSRXn1	VBUS	SBU2	Dn2	Dp2	CC2	VBUS	SSTXn2	SSTXp2	GND

Dn1 Dp1

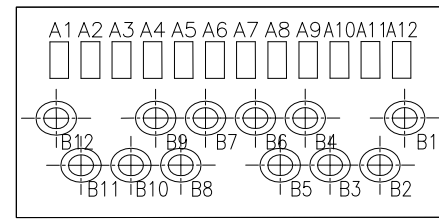
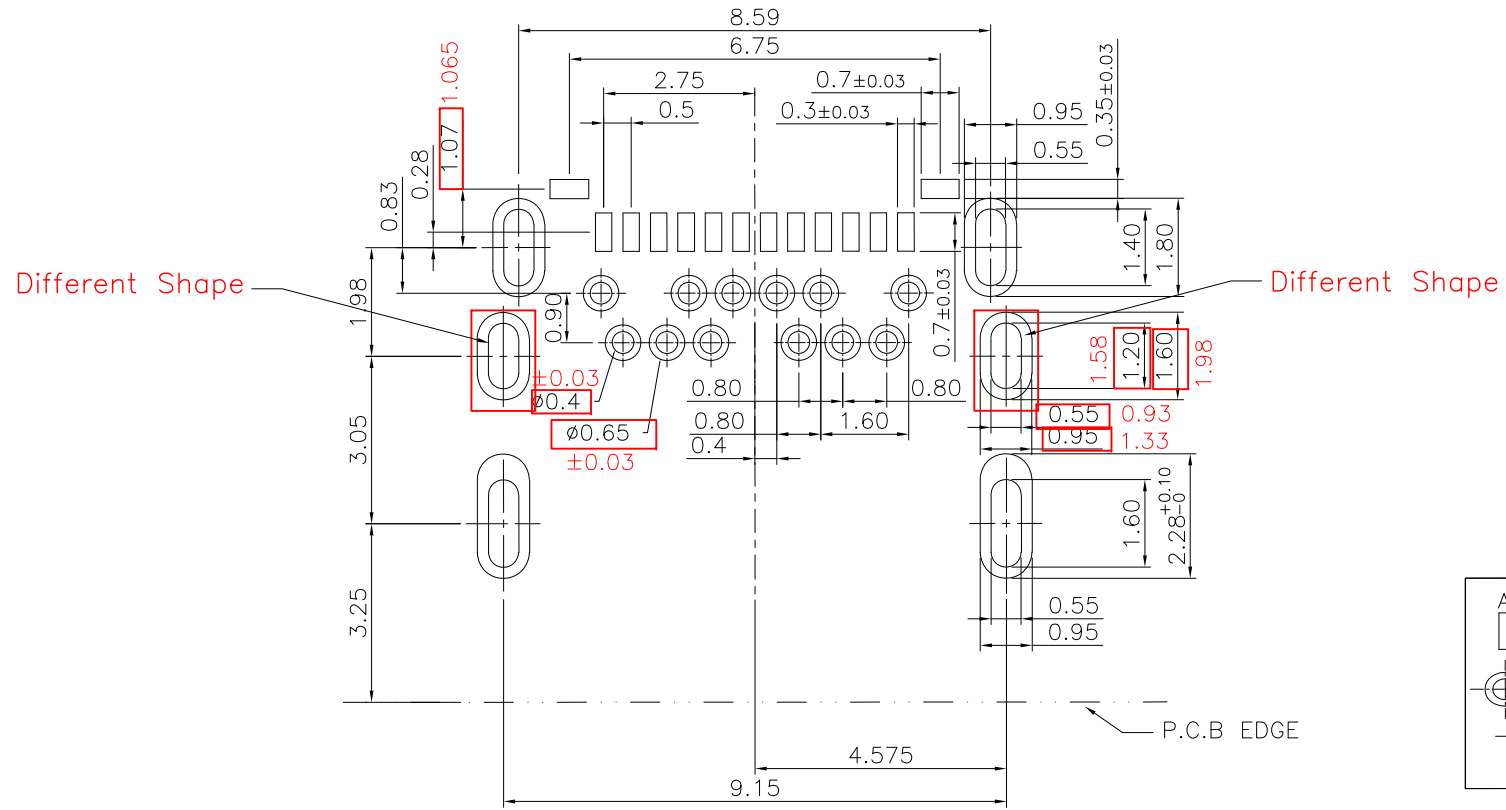
RoHS Compliant

REV	DATE	FILE	BY
A	04-MAY-2023		

DRAWN: LISY
CHECKED: JERRY
APPROVAL: RORY

GENERAL TOLERANCE: .X=±0.30 .X=±0.38 .XX=±0.25 .XXX=±0.13
UNIT: MM
SCALE: 1:1
SHEET: 1 / 2
PROJECTION:

CnC Tech Industrial Cable and Connector Technology	
DESCRIPTION: USB Type C Female 24PIN R/A CH4.0mm	SIZE A4
PART NO: C-ARA1-AK51X-1	



PCB Layout
 Thickness is 1.0mm
 Tolerance+/-0.05

Note: Dimension in red represents old dimension

RoHS Compliant

				DRAWN: LISY	GENERAL TOLERANCE: .X=±0.30 .X=±0.38 .XX=±0.25 .XXX=±0.13	<h1 style="color: red; text-align: center;">CnC Tech</h1> <p style="text-align: center;">Industrial Cable and Connector Technology</p>		
				CHECKED: JERRY	UNIT: MM SCALE: 1:1			DESCRIPTION: USB Type C Female 24PIN R/A CH4.0mm
A	04-MAY-2023			APPROVAL: RORY	SHEET: 2 / 2	PART NO: C-ARA1-AK51X-1		
REV	DATE	FILE	BY		PROJECTION:			

A
B
C
D